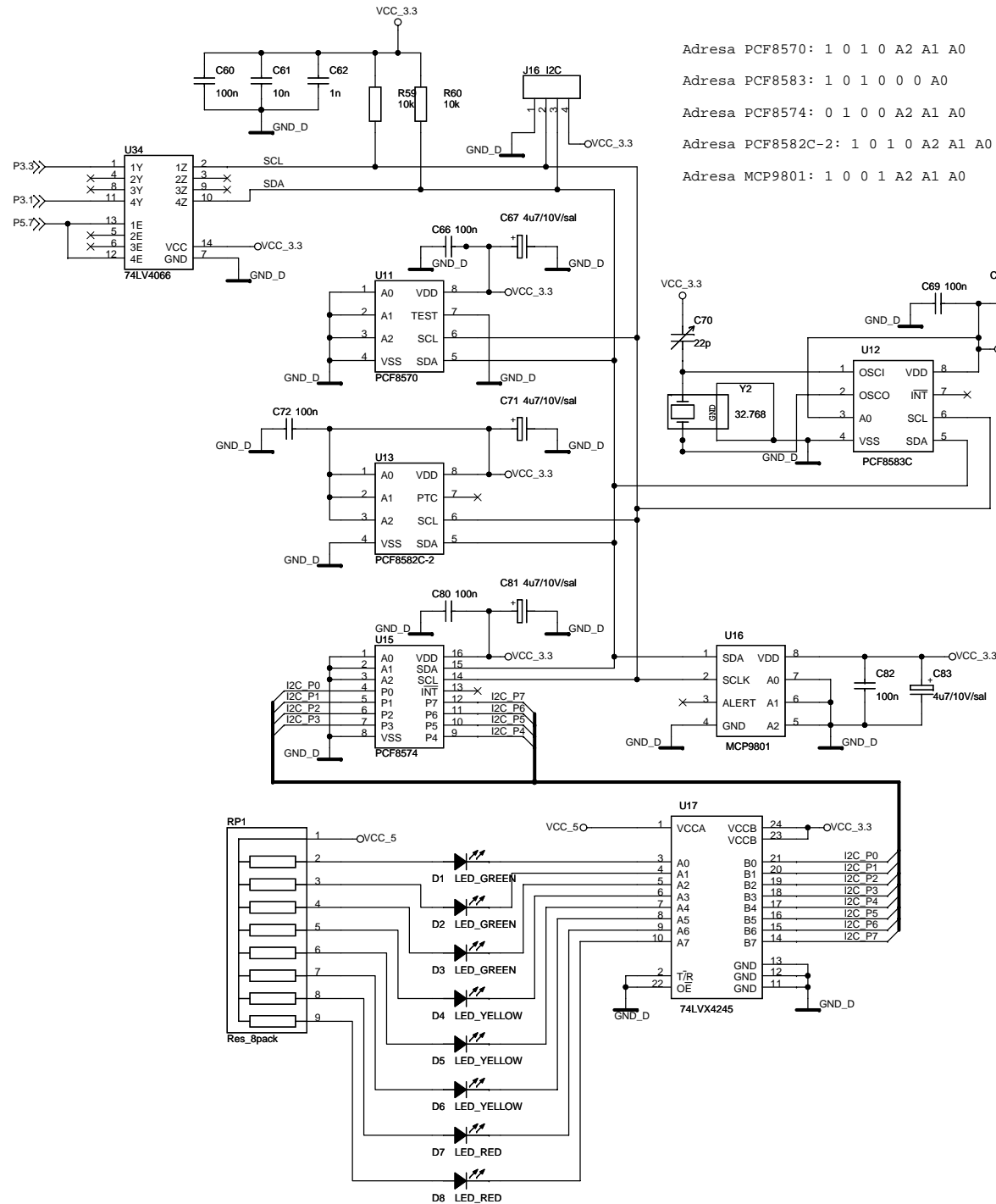
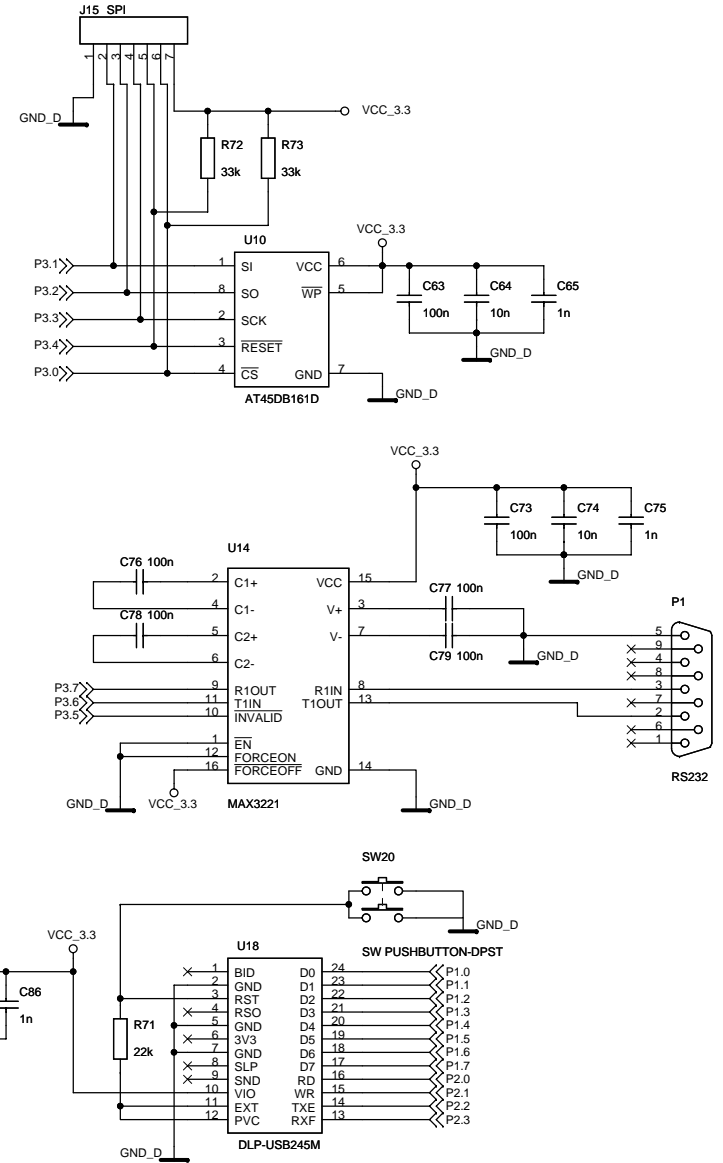


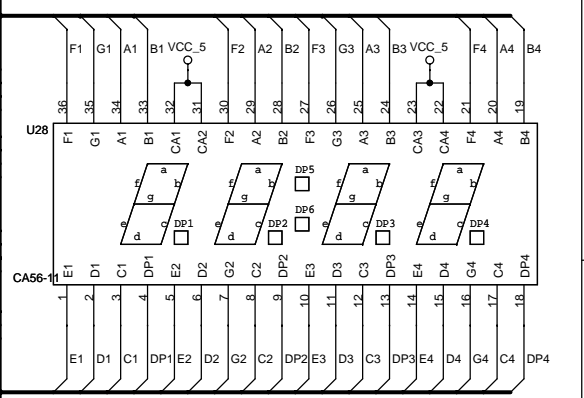
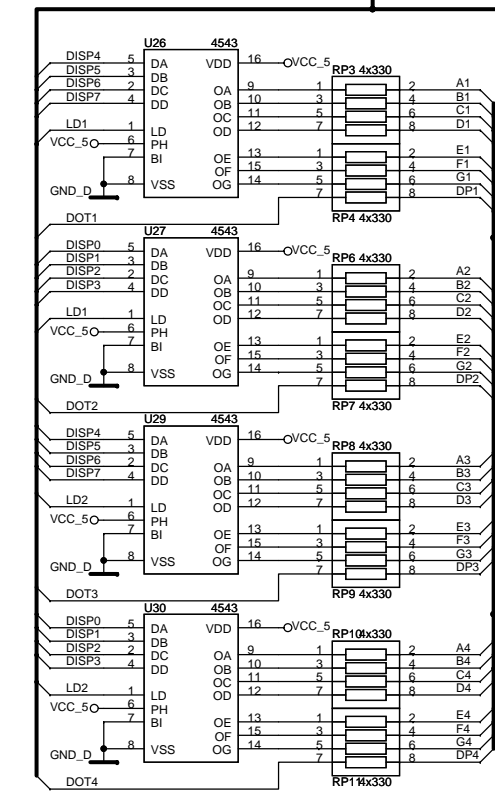
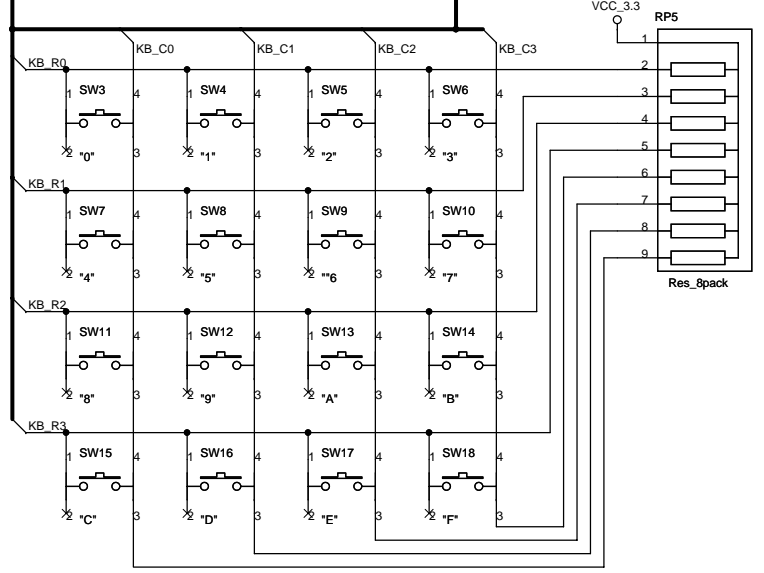
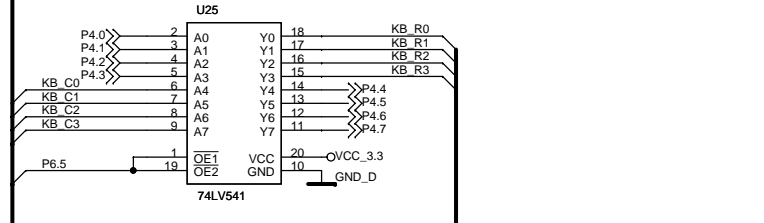
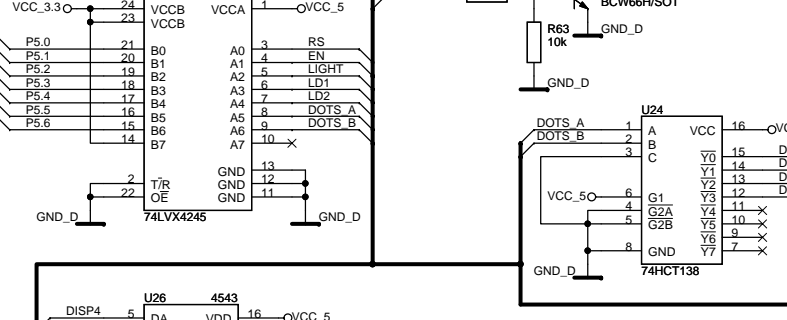
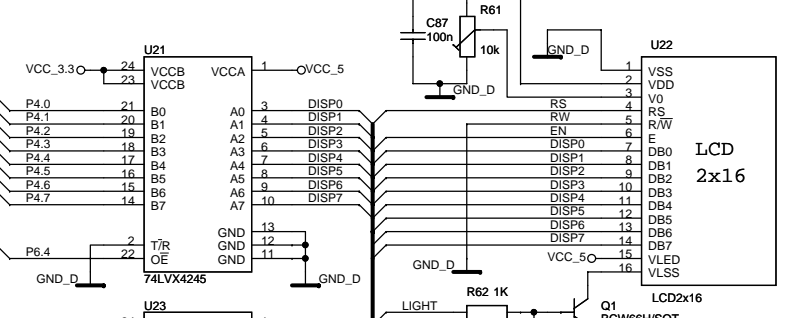
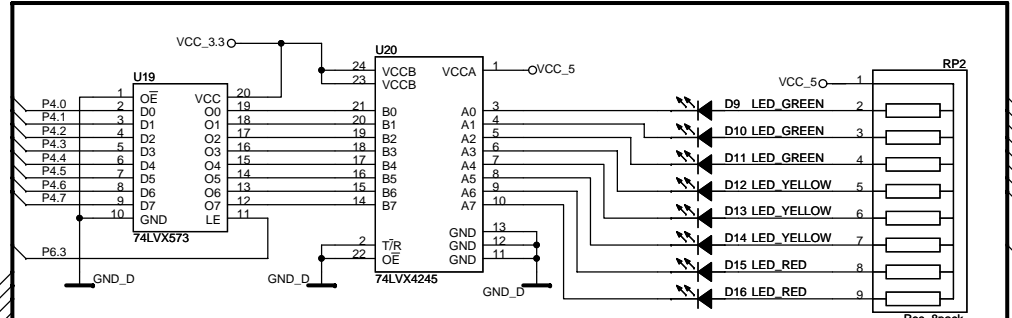
Title			MSP430F169 Evaluation Board v.1.0		
Size	Document Number				Rev
A3	Analogue Inputs and Outputs				A
Date:	Friday, March 23, 2007	Sheet	1	of	6



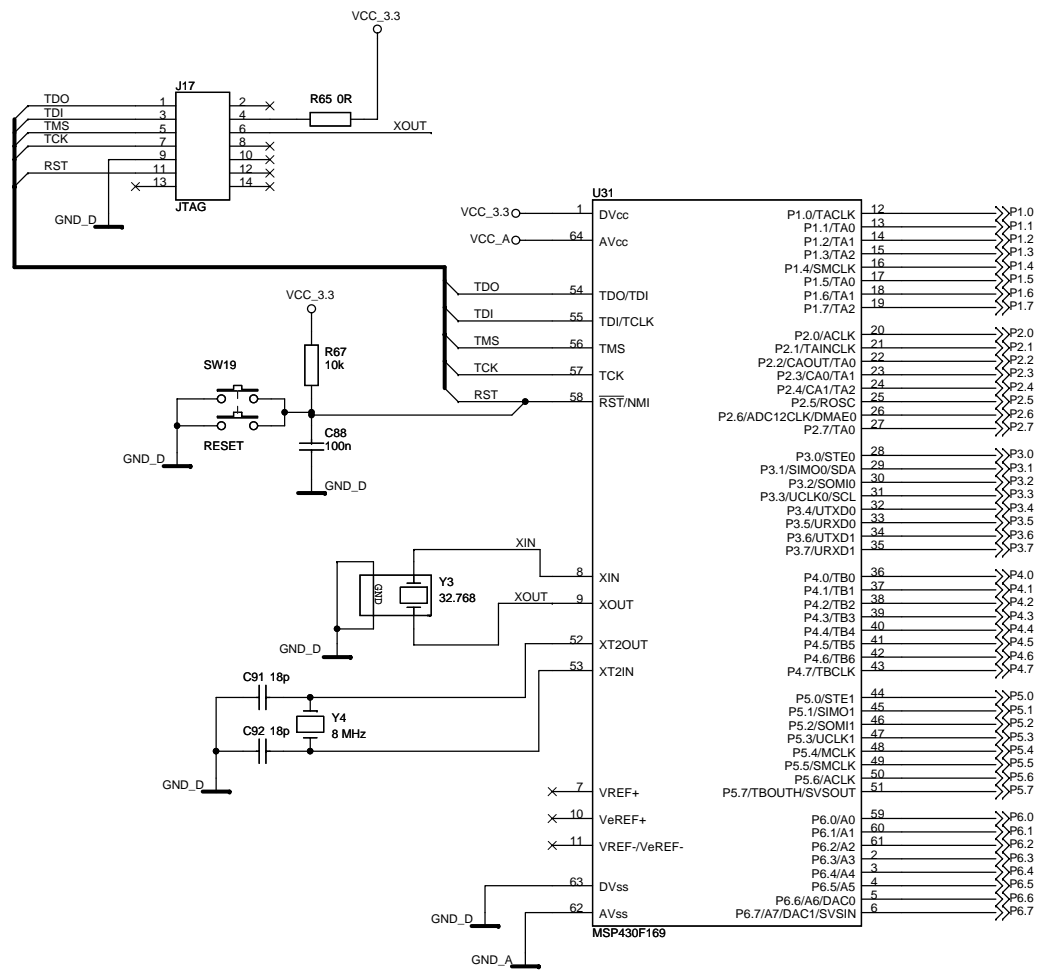
Adresa PCF8570: 1 0 1 0 A2 A1 A0
 Adresa PCF8583: 1 0 1 0 0 0 A0
 Adresa PCF8574: 0 1 0 0 A2 A1 A0
 Adresa PCF8582C-2: 1 0 1 0 A2 A1 A0
 Adresa MCP9801: 1 0 0 1 A2 A1 A0

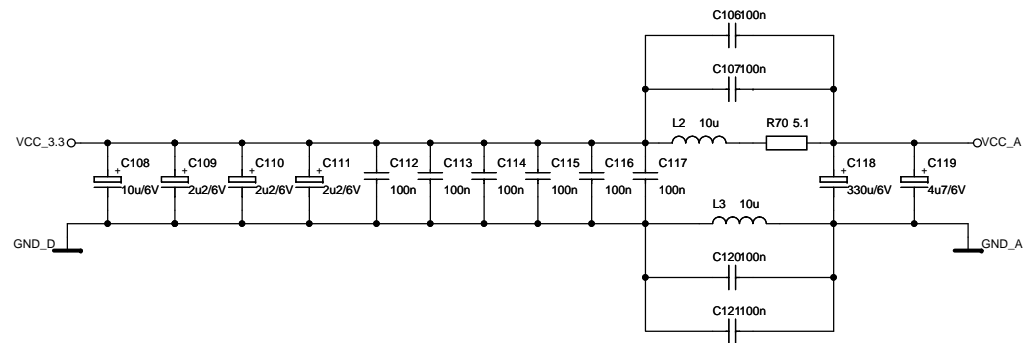
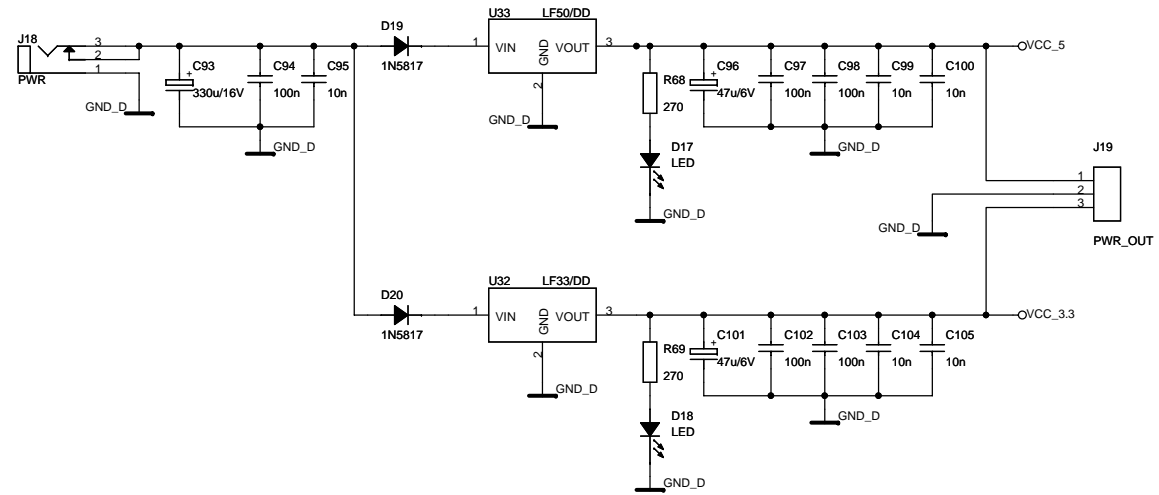


Title			MSP430F169 Evaluation Board v.1.0		
Size	Document Number				Rev
A3	I2C, SPI, SCL and USB				A
Date:	Saturday, March 24, 2007	Sheet	3	of	6



Title		
MSP430F169 Evaluation Board v.1.0		
Size	Document Number	Rev
A3	Keyboard, displays and user LEDs	A
Date:	Thursday, March 15, 2007	Sheet 4 of 6





Title		
MSP430F169 Evaluation Board v.1.0		
Size	Document Number	Rev
A3	Power Supply	A
Date:	Tuesday, February 20, 2007	Sheet 6 of 6